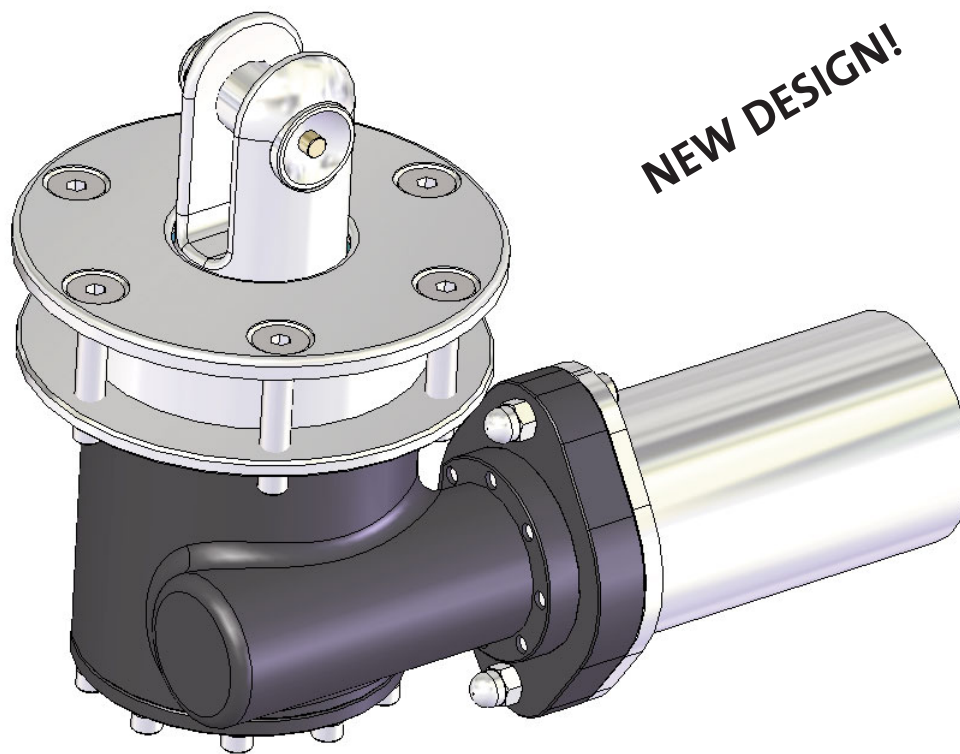


CZ8te electric code zero unit

The Reckmann CZ8te is a below deck mounted electric turning padeye. Its compact design and light weight makes it ideal for all code-0 and light wind furling purposes. Because of the high furling speed, even large sails can be furled very fast. The custom deck spacer ring allows a deck thickness up to 62 mm. The furler is protected against corrosion and can be mounted in the anchor locker e.g. Reckmann offers a range of stay connectors.



NEW DESIGN!



quick release pin



webbing connector

technical data

maximum halyard load	8,0 t
weight	7,3 kg
max. furling speed	80 rpm
electric motor	800W, 24V



halyard swivel with
2:1 sheave