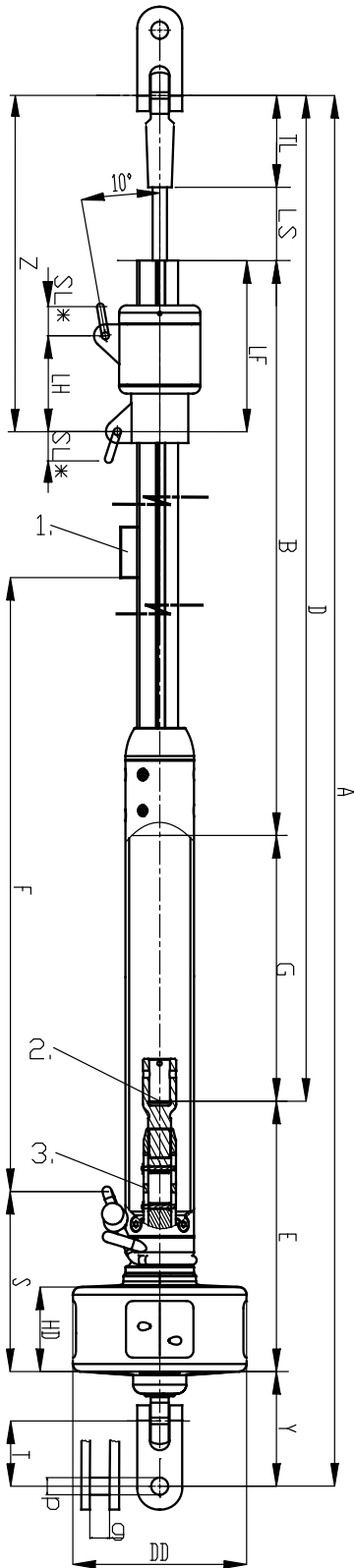


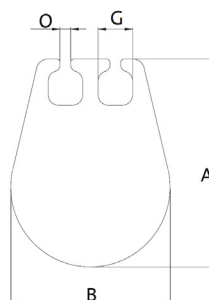
dimension sheet MF-3 R50



MF-3/R50						
halyard swivel/Fallenschlitten			FS-5L			
foil size / Profilgröße			R50			
wire / Draht	[mm]		16	19	-	-
Rod	[-]		-40	-48	-60	-76
T	pin - pin	[mm]	91			
p	[mm]		25,4	28,6		
g	[mm]		28			
TL	[mm]		length of installed top terminal / Länge des installierten Topterminals			
LS	[mm]		200			
LF	[mm]		385			
LH	[mm]		215			
SL ***	[mm]		55			
Z	[mm]		dependent on TL / abhängig von TL			
S	[mm]		275			
F	[mm]		1590			
G *	rod / Rod	[mm]	235			
	wire / Draht	[mm]	218			
E *	rod / Rod	[mm]	420			
	wire / Draht	[mm]	437			
stroke / Hub	turnbuckle / Spanner	[mm]	80			
Y **	min.	[mm]	148			
adjustment / Verstellweg	toggle eye / Toggleauge	[mm]	72			
DD	[mm]		260			
HD	[mm]		130			

* turnbuckle in mid position / Spanner in Mittelposition
 ** toggle eye fully in / Toggleauge ganz eingeschraubt
 *** Wichard D-shackle on FS-5-III / Wichard D-Schäkel an FS-5-III

Aluminium profiles:



size	groove	G (mm)	O (mm)	A (mm)	B (mm)
R10	double	6,4	2,3	31,4	24,1
R20	double	6,4	2,3	35,8	28,8
R30	double	7,5	3,0	45,5	36,1
R40	double	7,5	3,0	49,1	38,7
R50	double	8,0	3,5	54,0	42,0

1. sail feeder / Segeleinfuehrer
2. lower end rod head/swage terminal / Unterkante Rodkopf/Walzterminal
3. turnbuckle mid position / Spanner Mittelposition